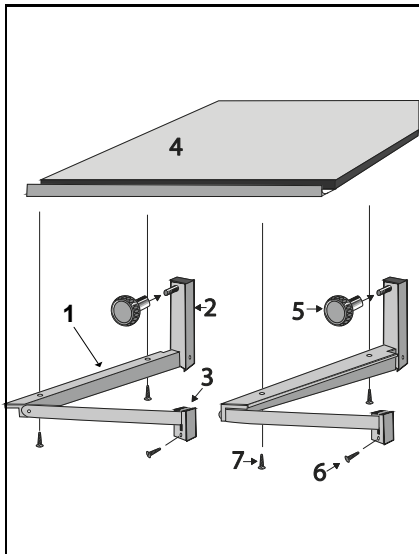


Continental Shelf Information & Installation

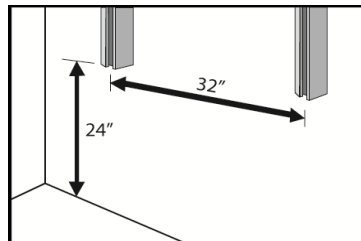


ITEM	QTY
1. Linkage.....	2
2. Top Yokes.....	2
3. Bottom Yokes.....	2
4. Shelf.....	1
5. Knobs.....	2
6. Set Screws.....	2
7. Mounting Screws.....	6

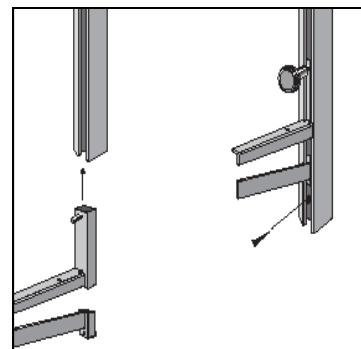
The Continental Shelf can be assembled in wall-mounted standards or floor to ceiling and mitered poles.

Wall-Mounted Units

1. Mount the standards on the wall with screws provided.
 - a. All boards are mounted on a 32" span, center to center.
 - b. Use the studs when possible, if not use wall togglers.
 - c. Use a level or a plumb line to make sure that the standards are vertical and parallel to each other
 - d. The bottom of the standard should be roughly 4" lower than the desired table height from the floor, if for instance, 28" height is desired the bottom of the standard should be 24"



2. Insert the linkages in the standards through the bottom of the standard channel by sliding first the top yoke and then the bottom yoke. Linkages are marked **left** and **right** for proper installation. Slide the bottom yoke 1" into the standard. Insert and tighten the set screws. Screw the knobs into the top yokes loosely and make sure that you can slide the knob up and down freely.
3. Bring the knobs all the way down so that the top links are horizontal. Check with a level across the links. If not horizontal, loosen one set screw and make adjustments until level.



4. Attach the shelf to the top links and fasten it to the linkages with the mounting screws provided. There are counter-sunk locations on the board that must line up with the holes in the links. For ease of insertion, the counter sunk holes can be drilled with a 3/32" drill bit 1/2" deep. You are now ready to use the shelf at any angle you require.

Pole-Mounted Units

Please Note:

1. Assemble the linkages in the pole channels as in step 2 above first.
2. Assemble the poles. Per pole assembly instructions provided with poles. For proper spacing see Step 1 above.
3. Follow steps 3 and 4 above and you are ready to use the shelf.

Continental shelf Operation

1. **To incline:** Stand in front of the shelf, loosen the knobs and grasp the shelf in the middle of the top and bottom edges using both hands first with a sudden motion then slowly up to the desired height. Tighten knobs.
2. **To decline:** Stand in front of the shelf and loosen the knobs and slowly lower the board to the desired angle. Tighten knobs.
3. **To change the height of the shelf:** Lift the shelf to its vertical position. Tighten the knobs, then loosen the set screws in the bottom. Hold both knobs and loosen them. You can now raise or lower the shelf to your desired height. Tighten the knobs and the set screws.
4. If the shelf does not slide easily up and down, or it refuses to become completely vertical please check to make sure that standards or poles are vertical and parallel to each other. Also, check to make sure the shelf is mounted horizontally. To correct, follow step 3 above for height changes.

Parallel Rule Installation:

There are two holes drilled in the instrument channel. These holes can be used to install parallel rules.