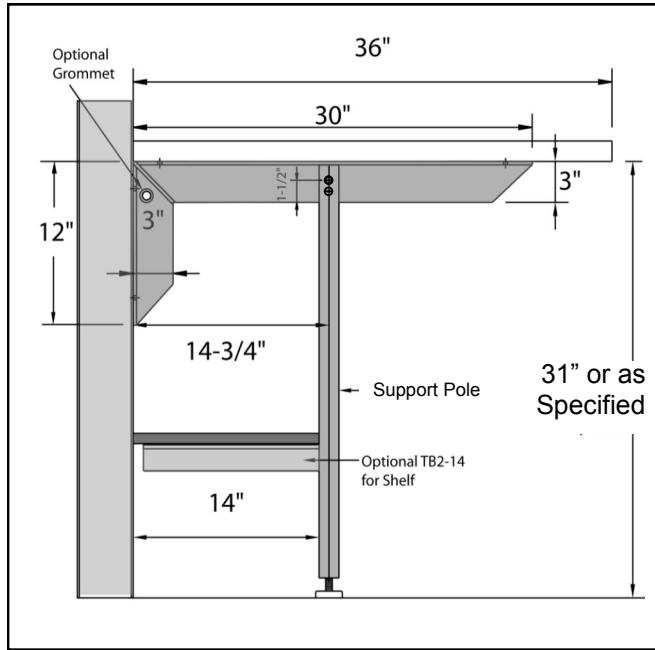




In supporting roles everywhere

# EH-1230PS Pole Supported Counter Bracket Information & Installation



Shown with Optional Shelf

## Pole Supported Bracket for 36" counter.

Rakks Pole Supported Counter Brackets are used to install counters and work surfaces up to 36" deep. While similar in construction to our EH-1824 surface mounted brackets, the additional support leg provides the increased strength and stiffness needed for such deep cantilevered surfaces. The 1-1/2" square support pole attaches securely to the counter bracket and can be ordered in any specified length. The adjustable foot allows for +/- 1/2" of adjustment.

Optional Shelf brackets can be installed behind the poles to maximize the use of otherwise "dead" space. Brackets can also be ordered with an optional 5/8" opening grommet to accommodate RJ-45 connectors or wire ties.

EH-1230PS and accompanying poles are stocked in the following finishes:

### Bracket Finish

Mill  
Off White P-coat  
Black P-coat  
Clear Anodized

### Pole Finish

Clear Anodized  
Off White P-coat  
Black Anodized  
Clear Anodized

## Installation Sequence

1. Space brackets a maximum of 32" apart.
2. Screw the bracket to the wall at the desired height. Typical height for a desk is 30", work surface 32" and Bar top 42".
3. Install leg and adjust leveler for snug fit.
4. Install Counter onto brackets with appropriate length screws or construction adhesive.

***Installation Note:*** Do not lean or sit on counters unless the pole support is properly installed. If the finished floor has not been installed you can install the counter to wall mounted brackets and install the pole supports after the floor has been installed. Also note that the poles can be cut down in the field using a chop saw.

Engineered and manufactured in the United States by: Rangine Corporation, Needham Massachusetts 02494 Tel: 781-455-8700, 800-826-6006 Fax: 781-455-8700 www.rakks.com