

Rakks®

Floating Shelves

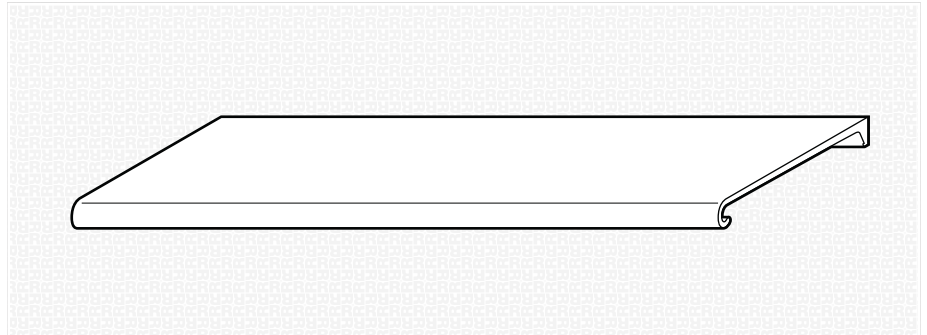
Installation Guide



Scan using the Camera app on
your smartphone for a digital version
of this guide, or go to Rakks.com/install

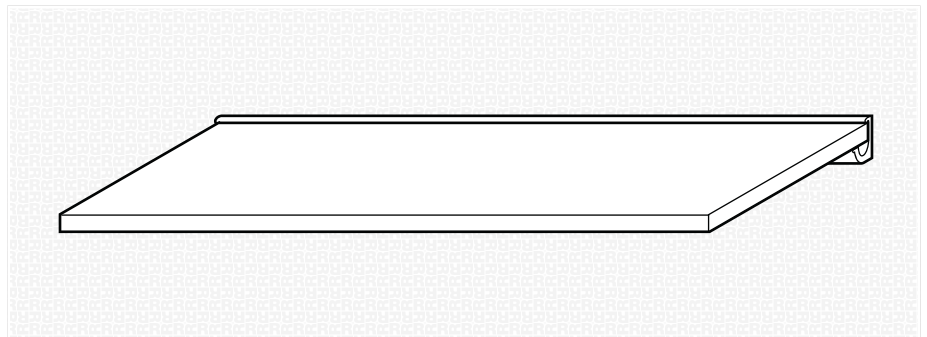
A

Fixed Floating Shelf



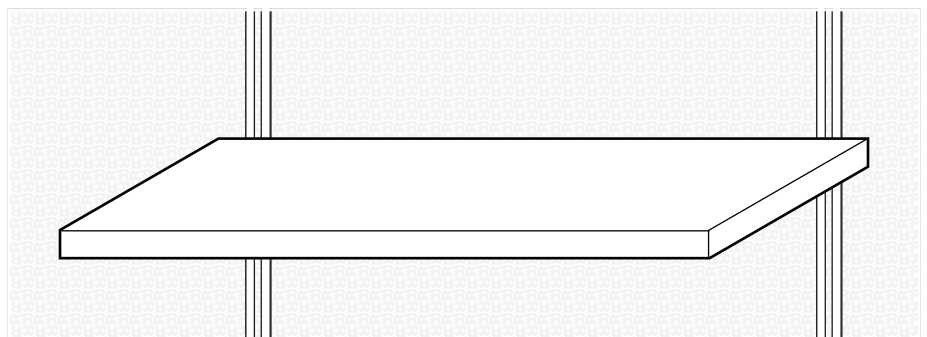
B

Suspended Shelf Bracket



1-3

Adjustable Shelf Brackets



A

Fixed Floating Shelf

B

Suspended Shelf Bracket

1-3

Adjustable Shelf Brackets

Recessed Wall Standards 

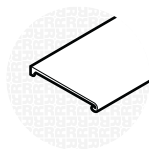
Floating BR Brackets 

Aria Brackets 

Securing Shelves 

Fixed Floating Shelf

Parts included for installation of fixed floating shelf:



Floating Shelf



Screws

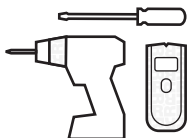


Drill Guide

Additionally, you will need:

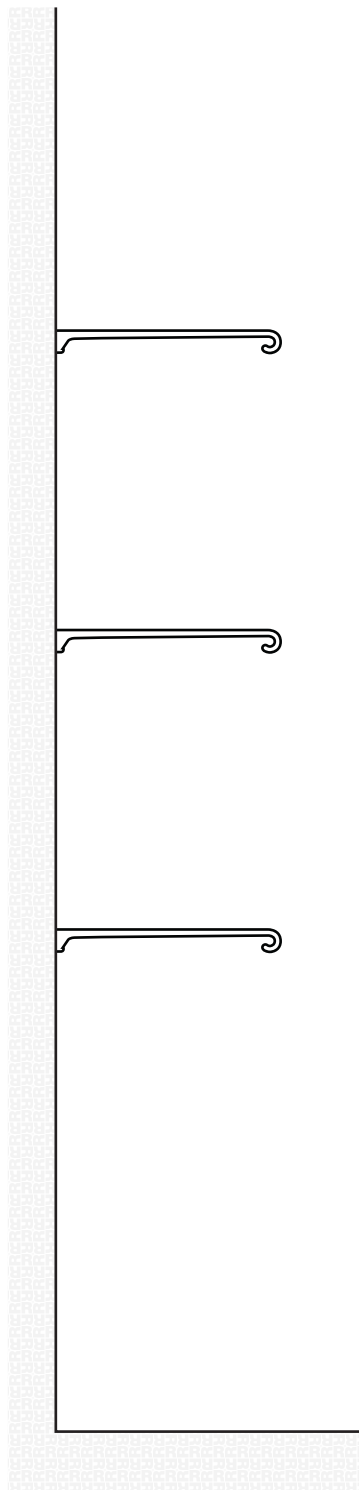


Measuring tape
Pencil or painter's tape
Level



Stud finder
Drill driver + $\frac{5}{32}$ " bit
Philips screwdriver

Installation helper/partner



Fixed Floating Shelf

1

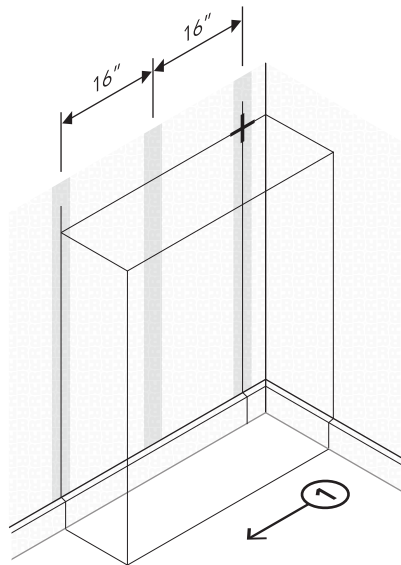
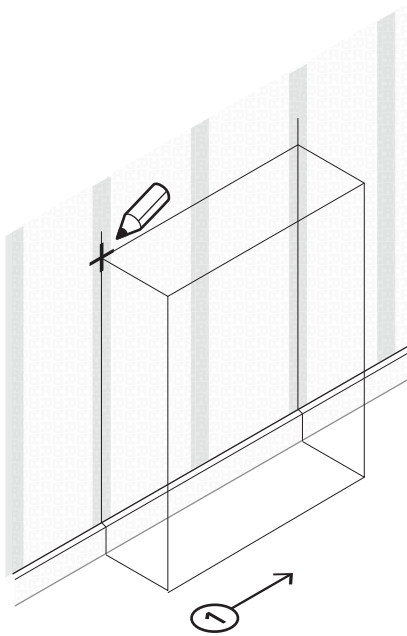
Mark out the location of your new Rakks floating shelves/shelf.

Choose either side of your system to begin installing. If your system includes a corner, start there.

Take into account any wall fittings or windows.

Use a stud finder to locate the center of the first stud. Measure up from the floor to the desired height of the shelf and mark the first hole location with a pencil.

At this time, use the stud finder to confirm that the remaining wall studs needed for the shelf installation are all **16" on center**. If you have custom hole locations, verify that they are correctly centered.



2

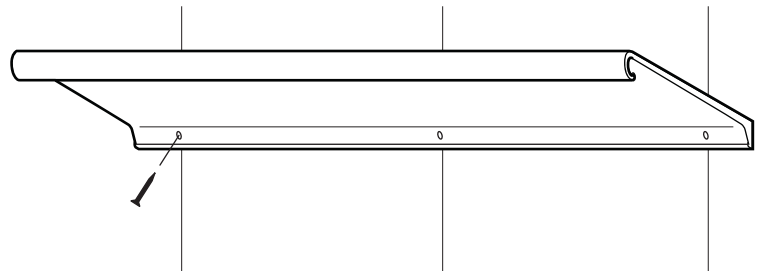
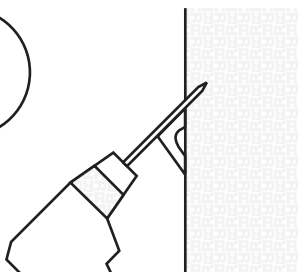
Drill the first screw hole.

Using the provided **drill guide**, place the guide up to the marked hole location and drill a $\frac{5}{32}$ " hole at a 34° angle into the wall stud.

With your installation helper, hold the shelf up horizontally against the wall and line up the first hole location.

Screw in one of the provided screws into the first shelf hole location (far left or far right) until it is snug but not tight. This is a temporary step to hold a level plane.

drill guide



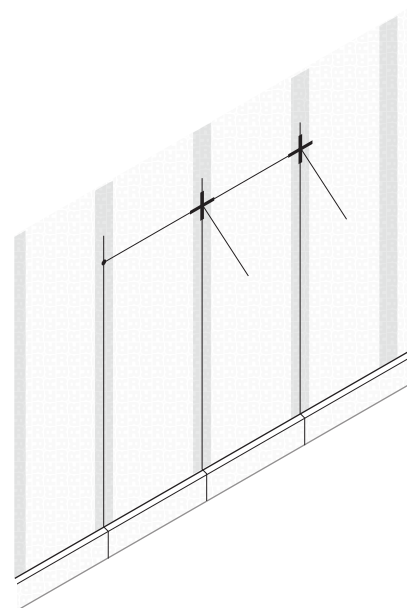
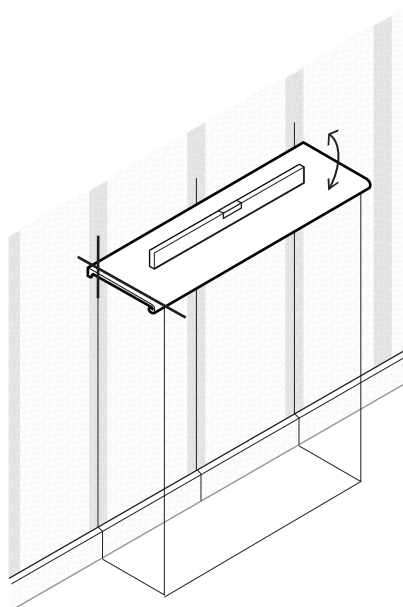
3

Mark out and drill the remaining holes.

Place a level on the shelf and mark out the remaining hole locations. Now uninstall the first screw and move the shelf to a safe location.

Double-check that all marked hole locations are centered on wall studs.

Pre-drill the remaining holes using the drill guide.

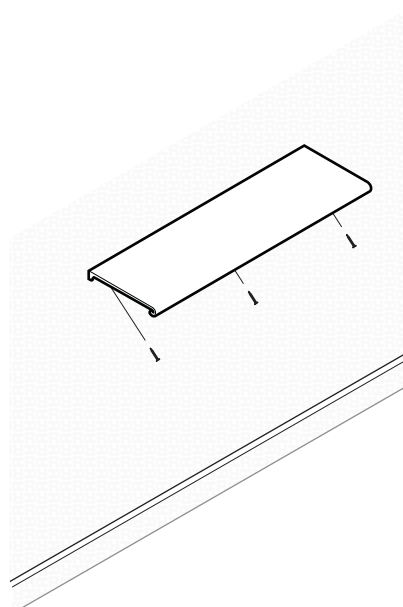


4

Install the floating shelves.

Call your installation helper back over and place the shelf back into position against the wall.

Line up the shelf holes up with the pre-drilled wall holes and install all mounting screws.



A

Fixed Floating Shelf

B ←

Suspended Shelf Bracket

1-3

Adjustable Shelf Brackets

Recessed Wall Standards →

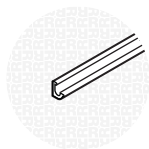
Floating BR Brackets →

Aria Brackets →

Securing Shelves →

Suspended Shelf Bracket

Parts included for installation of fixed floating shelf:



Suspended Bracket



#8 x 2" Phillips head screws

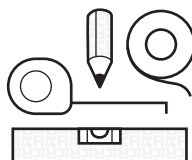


#6 x 1 1/4" Phillips head screws

Additionally, you will need:



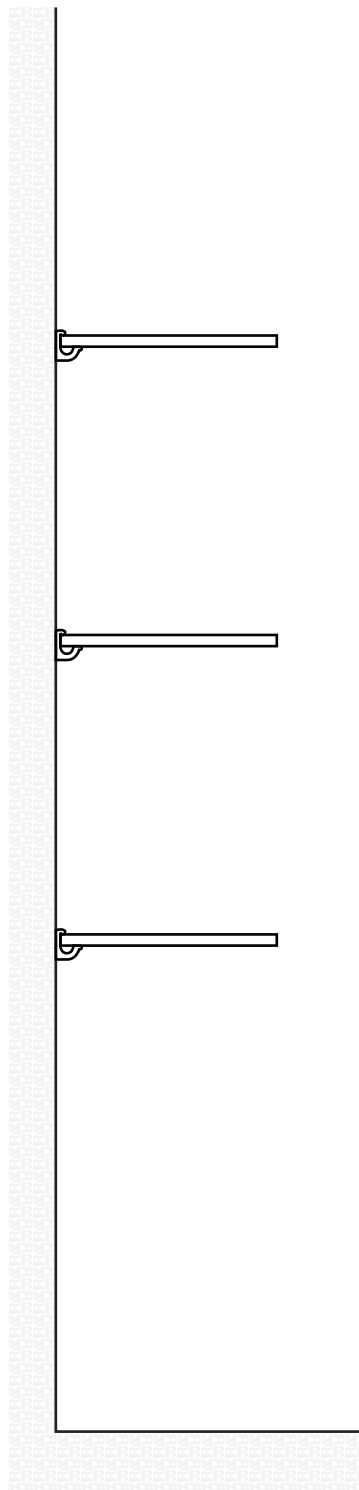
Wood shelf:
3/4" thick
up to 12" deep



Measuring tape
Pencil or painter's tape
Level



Stud finder
Drill driver + #2 Phillips head bit
Installation helper/partner



Suspended Shelf Bracket

1

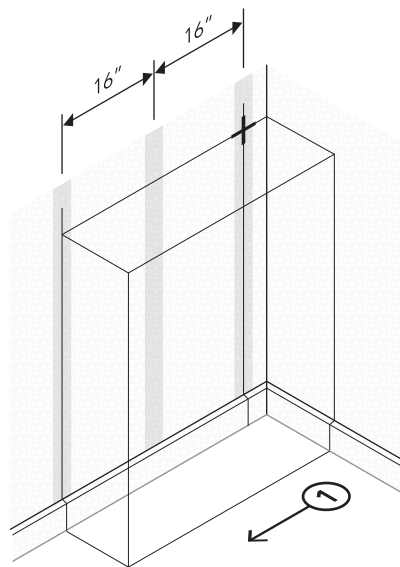
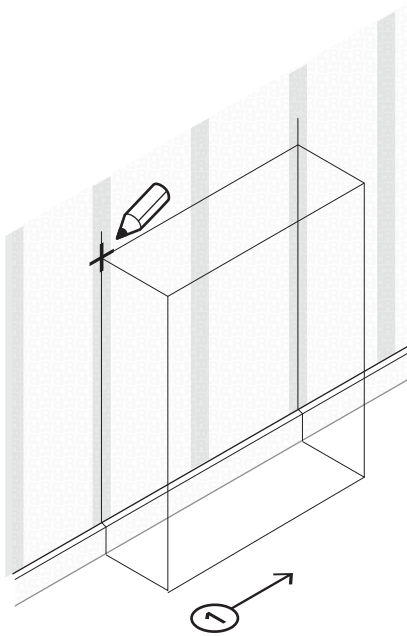
Mark out the location of your new Rakks floating shelves/shelf.

Choose either side of your system to begin installing. If your system includes a corner, start there.

Take into account any wall fittings or windows.

Use a stud finder to locate the center of the first stud. Measure up from the floor to the desired height of the shelf and mark the first hole location with a pencil.

At this time, use the stud finder to confirm that the remaining wall studs needed for the shelf installation are all **16" on center**. If you have custom hole locations, verify that they are correctly centered.

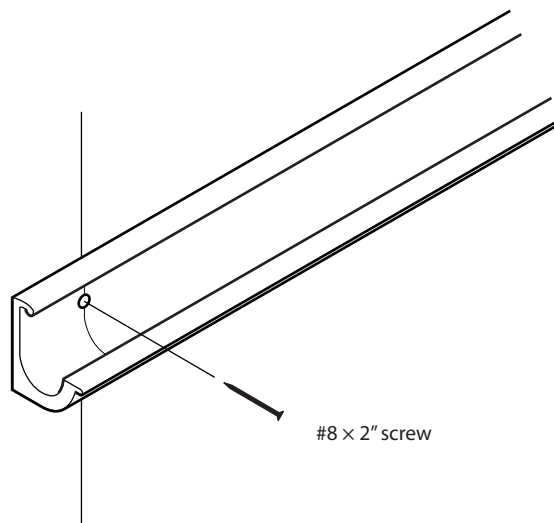


2

Install the first screw.

With your installation helper, hold the suspended bracket up horizontally against the wall and line up the first hole location.

Screw in one **#8 × 2" screw** into the first hole location (far left or far right) until it is snug.

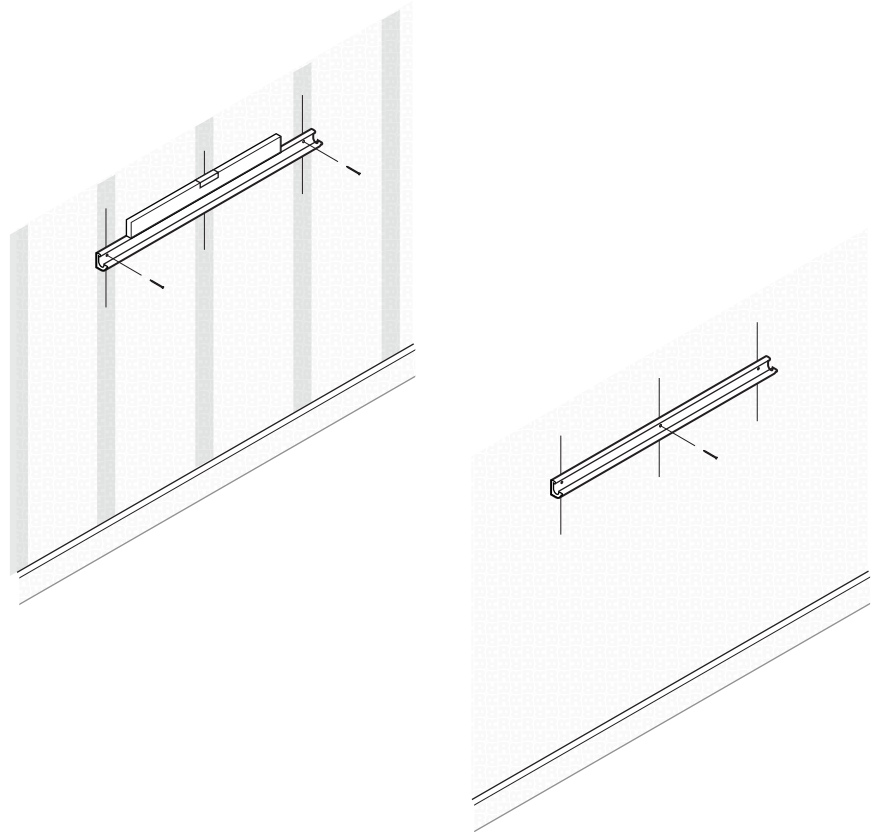


3

Locate and install the remaining screws.

Using a level, orient the suspended bracket on the wall and install a screw at the opposite end.

Now the suspended bracket is level and you can install the remaining wall mounting screws.



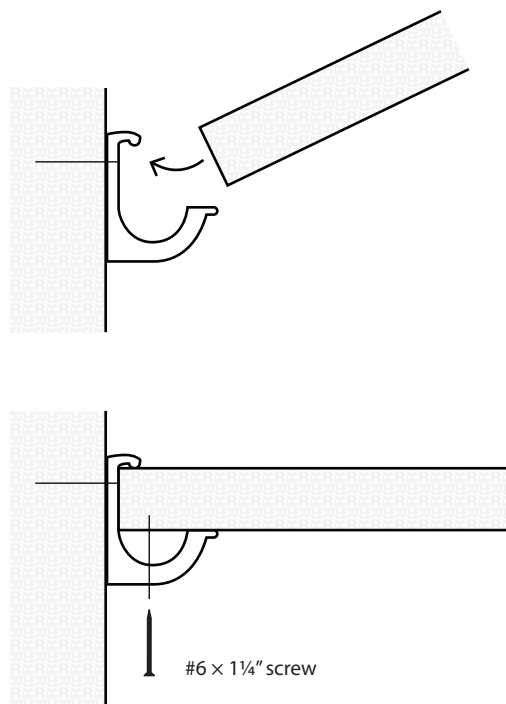
4

Install the wood shelves.

Tilt shelf slightly upward and insert it into the suspended bracket until the shelf is in contact with the back of the bracket.

Keep slight inward pressure on the shelf and move it downward to a horizontal position.

Install **#6 × 1¼" screws** into the bottom of the suspended bracket at each end until the screws are snug. Do not overtighten. This screw prevents the shelf from pulling outward.



A

Fixed Floating Shelf

B

Suspended Shelf Bracket

1-3

Adjustable Shelf Brackets

Recessed Wall Standards 

Floating BR Brackets 

Aria Brackets 

Securing Shelves 

Parts included for installation of standards:

Standards are sometimes referred to as *wall tracks*, *channels*, *strips*, *mounts*, *rods*, or *rails*.

Recessed standards come in one of the following profiles:



E-Standard



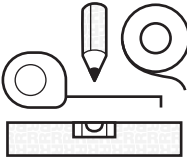
C-Standard

Installation material provided:

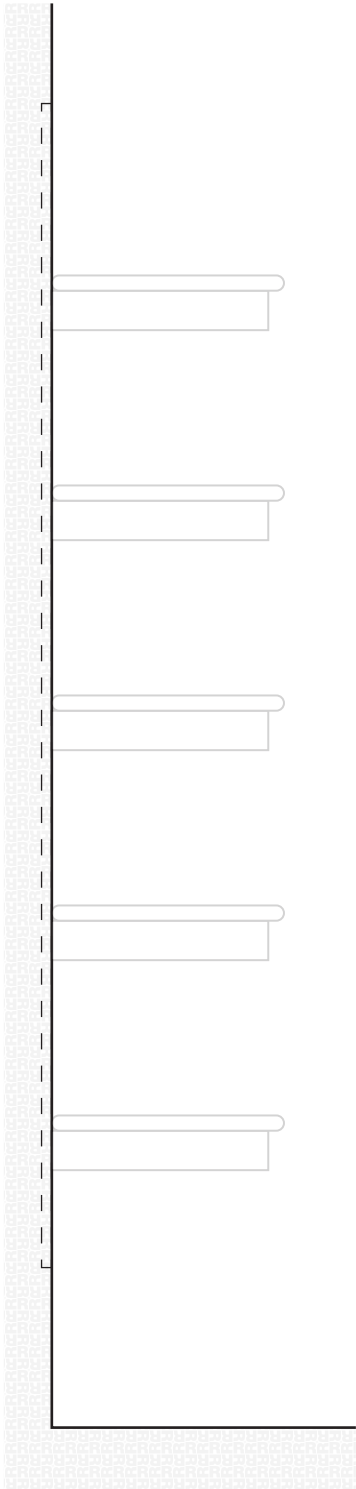


Screws

Additionally, you will need:



3/4" wide wooden strips
as placeholders for the standards

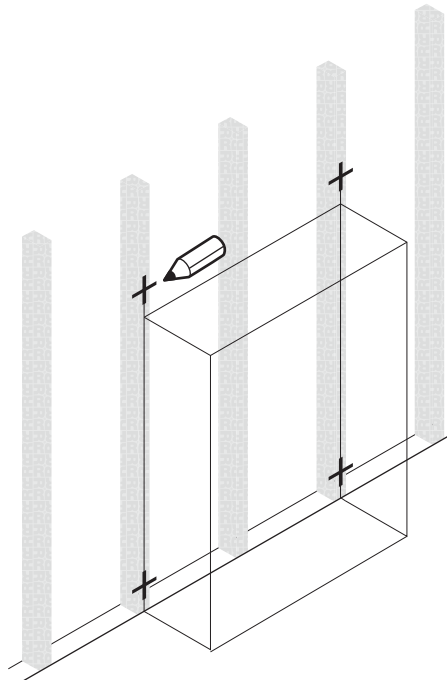


1

Professional installation at the pre-drywall stage.

Recessed standards are designed to work with $\frac{5}{8}$ " drywall, sheetrock or pre-cut panels. If you have any other thicknesses, modifications will be necessary.

Mark out the location of your new Rakks shelving system on the studs or blocking.



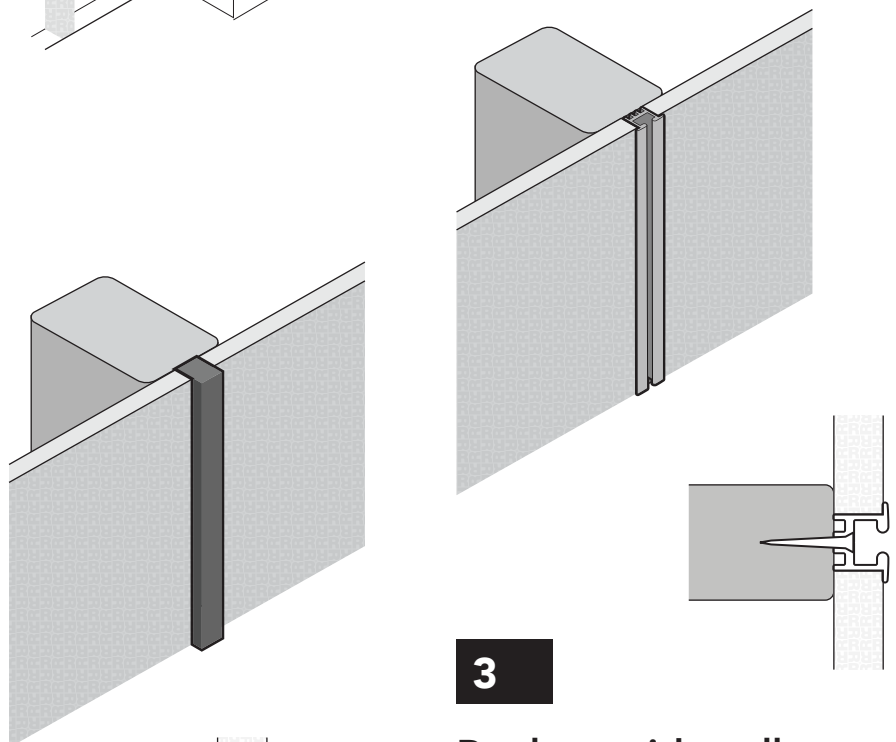
If your system includes **floating brackets** or **tray brackets**, it is very important at this point that you place the standards perfectly parallel and at the appropriate distance apart. See **Floating BR brackets installation**.

2

Use a strip of wood as placeholder.

Tack a strip of wood, exactly $\frac{3}{4}$ " wide, plumb, on the desired location.

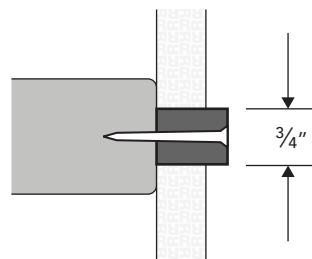
Sheetrock up to the edge of the wood strip, without getting any joint compound in the cracks.



3

Replace with wall standard.

Remove the wood strip and screw the standard in its place using the screws provided.

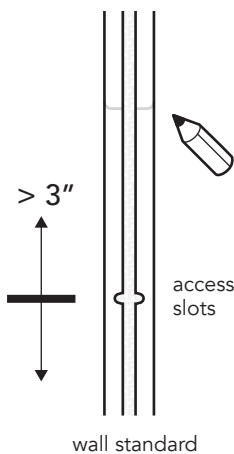


1

First, mark out the shelf locations.

Place marks on one of the **wall standards** to indicate where the top edge of each bracket will be.

Do not cover **access slots** with brackets. Leave 3" clearance above and below the slots.



Floating Bracket



Tray Bracket

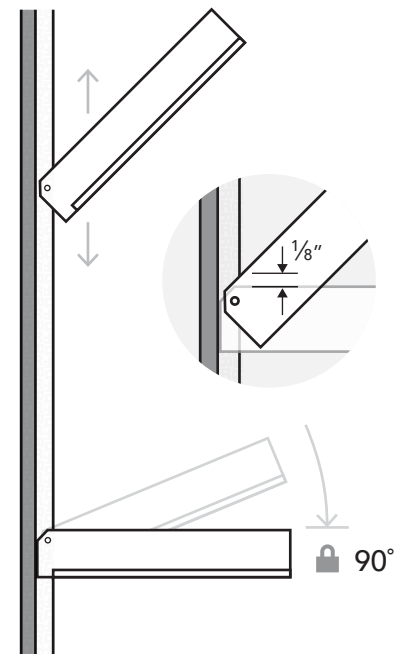
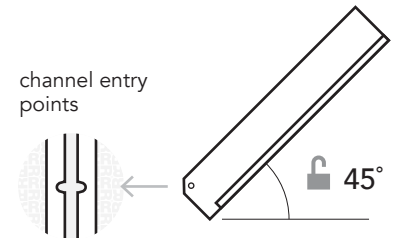
2

Insert and place bracket.

Use the **channel entry points** at the top or bottom of the standard. If you have requested custom access slots in a tall system, you can use those to insert brackets.

Hold the bracket so it sits $\frac{1}{8}$ " above the marked out location on the standard. It will fall to the mark once it is locked in place. Lock the bracket into position by pulling down firmly.

The bracket will sit at 90° when your shelf is loaded with items.



3

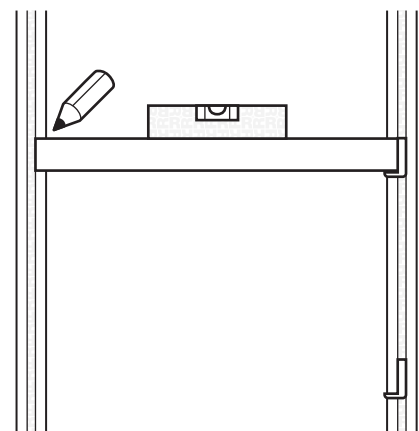
Align and place the other brackets.

Using a level, rest one end on the installed bracket and the other end against the adjacent installed standard.

If your level is not able to reach the adjacent standard, you can use a shelf and rest your level on top.

Mark your adjacent bracket location and install the bracket.

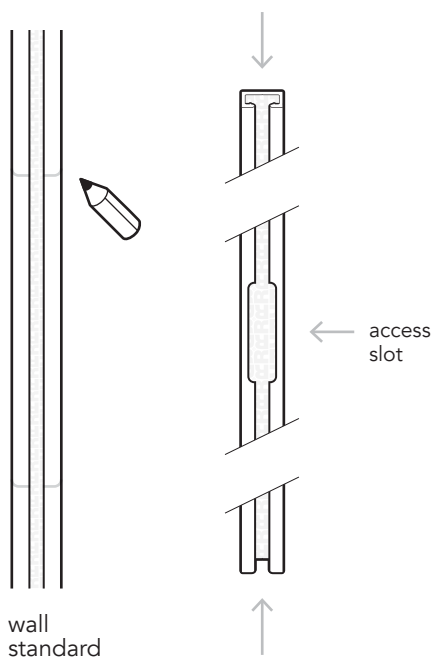
Repeat for the remaining brackets.



1

Mark bracket locations on one wall standard.

Mark the desired location of the bottom edge of each shelf.



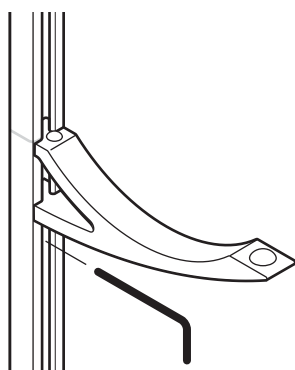
wall standard

2

Place the first set of brackets.

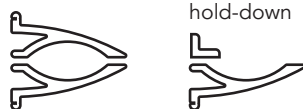
Slide the **Aria bracket** pieces into the top or bottom channel, or into an **Aria access slot**.

Slide the bottom Aria bracket to the mark and tighten the set screw. Let the top Aria bracket or **glass hold-down** rest on the bottom bracket without securing it.



Aria brackets

glass hold-down



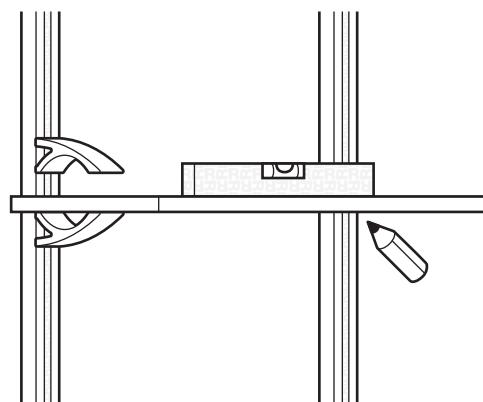
3

Place and install the remaining brackets.

Rest one end of the level on the secured bottom Aria bracket. Make a corresponding level mark on the next standard over.

Slide the pieces into the standard in sequence. Position the bottom Aria bracket up to the mark and tighten the set screw. Let the top Aria bracket or hold down rest upon it.

Repeat this step on the remaining Aria brackets in your wall mounted system.



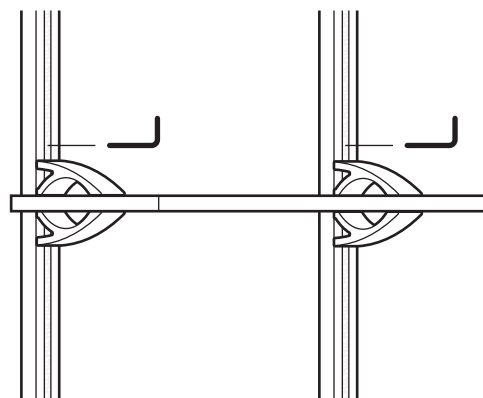
4

Align and place the other brackets.

To install the shelves, slide the top Aria bracket or glass hold-down up and out of the way, so you can place the shelf between the top and bottom pieces. It is advisable to have a helper for this step.

Lay the shelf flat on the bottom Aria brackets. Lower the top Aria bracket or glass hold-down and press firmly while you tighten the set screws.

Repeat this step for the other Aria brackets. Make sure that all set screws are secure and that the shelf is clamped firmly in place.

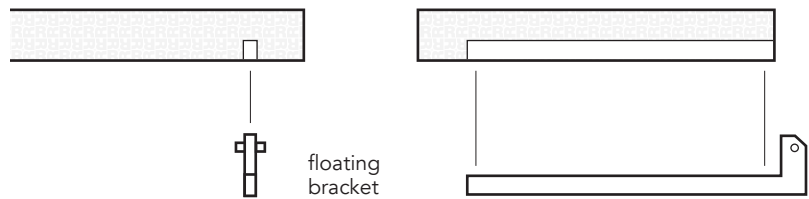


Floating brackets and tray brackets can be used with wood, glass and aluminum shelving.

The lower profile of the brackets create a stealthy look and they are installed the same way as a standard BR bracket.

Recessed floating bracket

Floating brackets can be recessed into wood shelving in order to create a floating shelf, which hides the brackets from view. We recommend that this process be carried out by your local millwork company.



Retaining pins with wood or melamine shelving

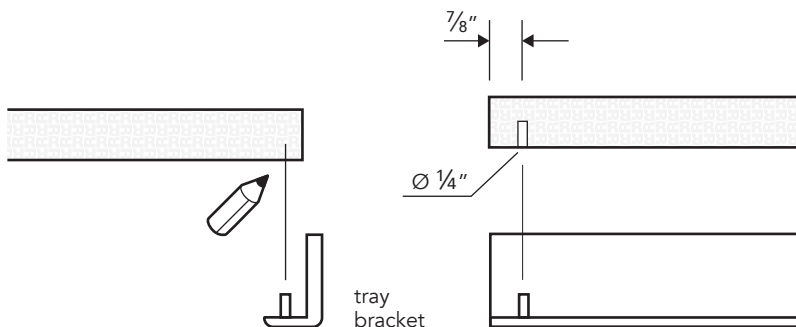
If ordered with **tray brackets**, the retaining pins protrude $\frac{3}{8}$ " above the bracket.

To be certain that the hole location is correct, we recommend that you have your shelving system in place before drilling the holes.

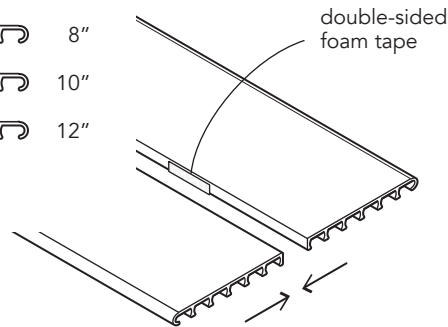
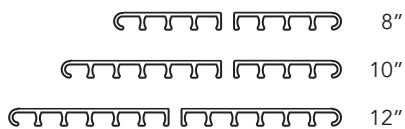
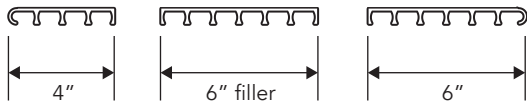
If you have retaining pins on your brackets and you are installing wood or melamine shelves, you will need to drill $\frac{1}{4}$ "-diameter holes, $\frac{3}{8}$ " deep, in the underside of your shelf.

To mark the hole location, place the shelf in position on top of the retaining pins and circle the location of each pin.

For typical shelf depths (8", 10", 12") the holes will be $\frac{7}{8}$ " on center from the front edge of the shelf. For other depths, contact your Rakks representative.



Rakks aluminum shelves



Rakks aluminum shelves come in multiple pieces to make up the shelf depth. Apply the provided **double-sided foam tape** as shown to prevent side-to-side movement.

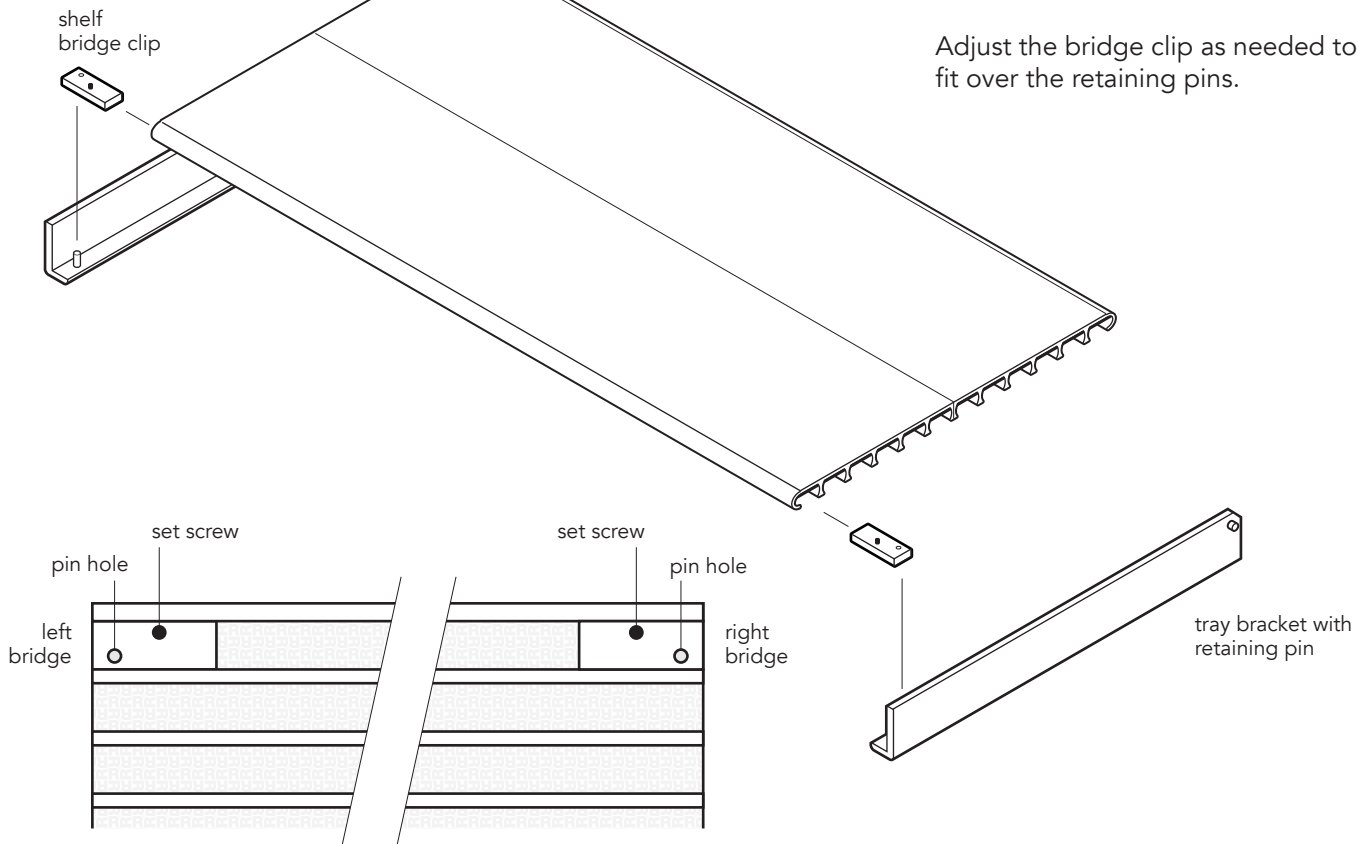
Shelf bridge clips secure aluminum extruded shelves to **tray brackets** with the **retaining pin** option.

Slide the bridge clips into the front channel of the shelf and orient the **pin holes** as shown.

Install and tighten the **set screws** to hold the clip in place, flush with the edge of the shelf.

Place the shelf section on the tray bracket so that the bracket's retaining pins fit into the pin holes.

Adjust the bridge clip as needed to fit over the retaining pins.



A

Fixed Floating Shelf

B

Suspended Shelf Bracket

1-3

Adjustable Shelf Brackets

Recessed Wall Standards →

Floating BR Brackets →

Aria Brackets →

Securing Shelves →