

Overview

L-Brackets are used in pairs to support a single shelf. Available in lengths from 8 to 24 inches, in two inch increments, they attach to the threaded side channels of PC2 and PL poles with one 1/4-20 screw. L-Brackets provide exceptional strength for wood, glass, and aluminum shelves supporting up to 150 pounds per shelf.

Wood shelves can be screwed to the bracket using the two predrilled and counter-sunk holes. Brackets can be ordered with double retaining pins to keep Rakks extruded aluminum shelves in place.

Installation of Support Pole

Install poles according to the installation instructions provided with your order or available for download at rakks.com. PL poles must be used in conjunction with a supporting wall and rear facing loads. PC2 and PC4 poles should be secured at the ceiling to assure a safe installation.

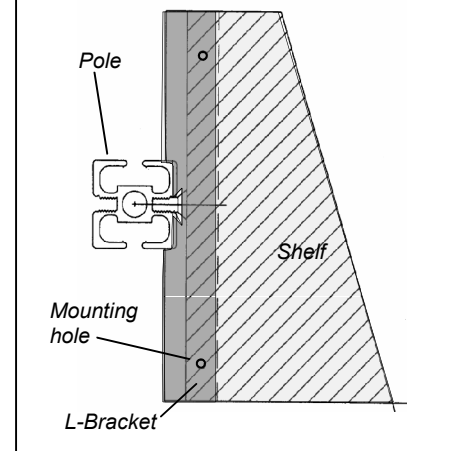
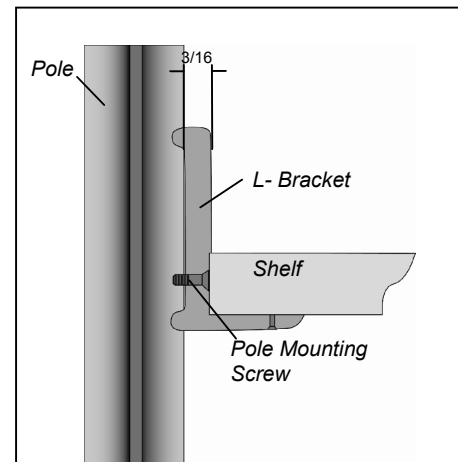
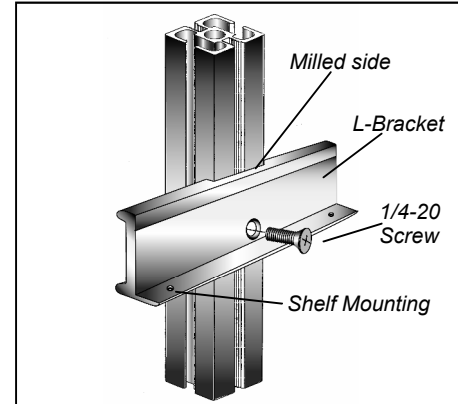
Installation of L-Bracket Shelf Support

L-Brackets are infinitely adjustable and can be installed at any point along a pole by screwing the bracket into the pole at the desired height. While holding the bracket in place so it does not move, screw the bracket into the pole with one 1/4-20 screw provided. Hand-tighten only. When properly installed, the bracket will be securely attached and will not pivot on the pole.

Installation of Cabinets to Poles

Cabinets are screwed, from the inside, into the threaded channels running along the side of the pole. Detailed installation instructions can be downloaded from the rakks.com website.

Installation Note: When calculating the length of the shelves, it is important to allow for the thickness of each L-Bracket (3/16"). Ordering shelves that are 1/2" shorter than the distance between your poles will provide a comfortable tolerance. When using both cabinets and shelves, the shelves will typically be 1/2" shorter than the cabinets.



Engineered and manufactured in the United States by:
Rangine Corporation, Needham, Massachusetts 02494
Tel: 781-455-8700, 800-826-6006 Fax: 781-455-8702
www.rakks.com