

Rakks®

Rangine Corporation
330 Reservoir Street
Needham, Ma. 02494

Tel: 781-455-8700 Fax: 781-455-8702

DATE:
3-29-10

BY:
KT

RAKKS DWG. NO.:

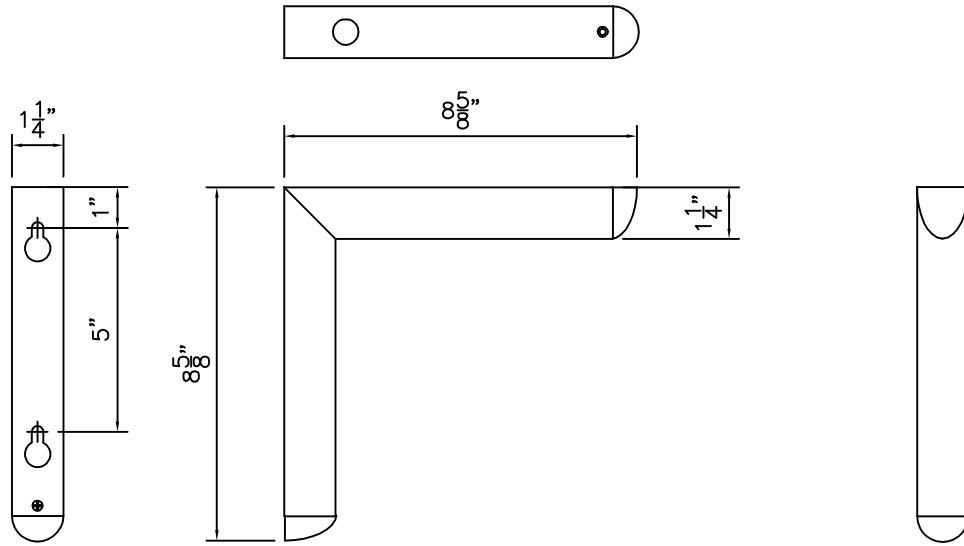
JOB NAME:

Eclipse Counter
Brackets

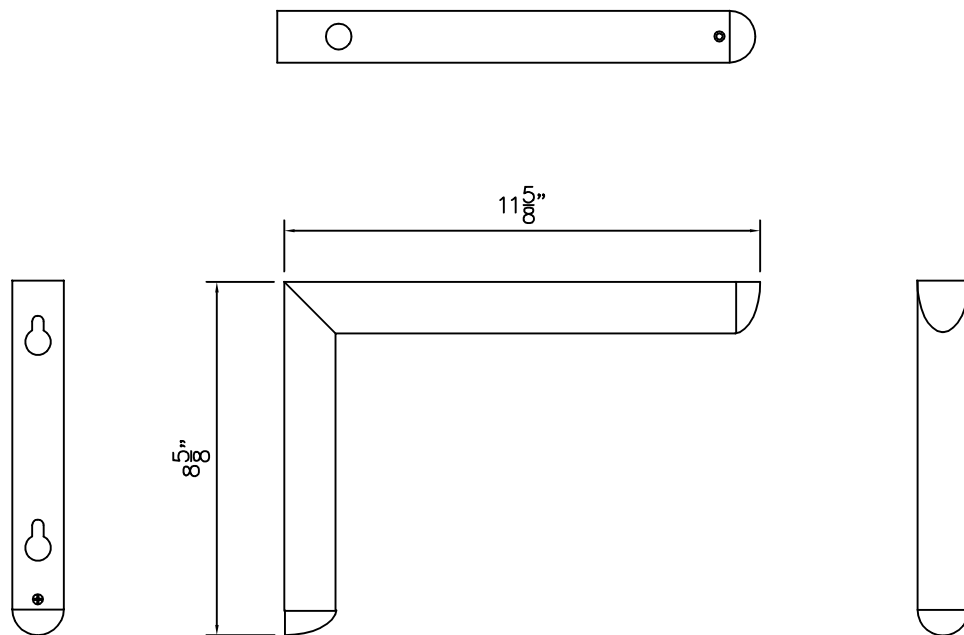
PAGE NO.:
____ OF ____

PART NO.:

VERSION:
3, 4-22-10



Part No. EC-0808



Part No. EC-0812