

Rakks®

Rangine Corporation
330 Reservoir Street
Needham, Ma. 02494

Tel: 781-455-8700 Fax: 781-455-8702

DATE:
1-5-10

BY:
KT

RAKKS DWG. NO.:

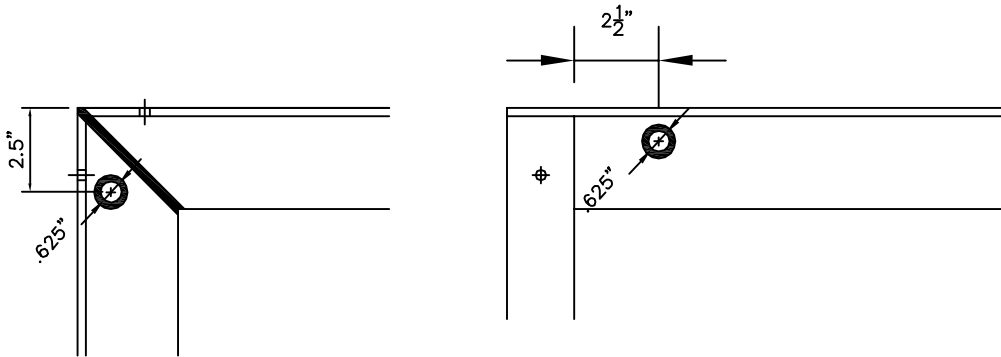
JOB NAME:

Counter & Sill
Bracket Options

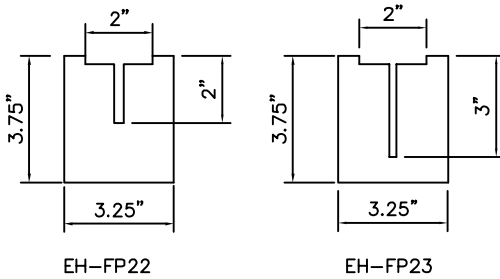
PAGE NO.:
_____ OF _____

PART NO.:

VERSION:
5, 12-14-15



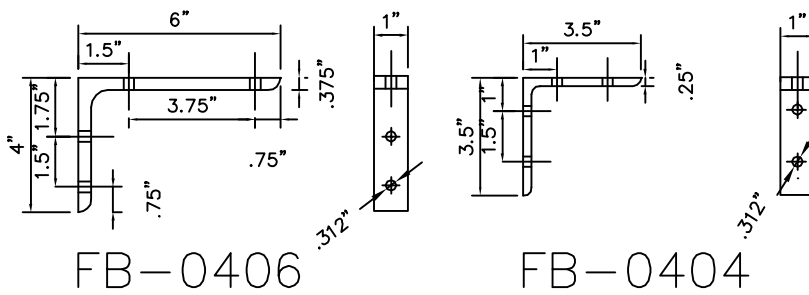
Grommet Option



EH-FP22

EH-FP23

Face Plates



FB-0406

FB-0404

Sill Supports

All designs are, and remain the property of Rangine Corporation. Rangine Corporation reserves the right to make changes in specifications, design, and/or construction with out prior notification.