

# Rakks®

Rangine Corporation  
330 Reservoir Street  
Needham, Ma. 02494

Tel: 781-455-8700 Fax: 781-455-8702

DATE:  
12-14-15

BY:  
KT

RAKKS DWG. NO.:

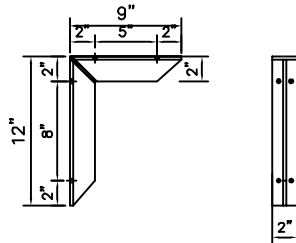
JOB NAME:

Counter Brackets  
Surface Mounted

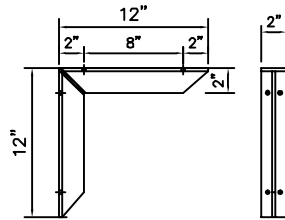
PAGE NO.:  
\_\_\_\_\_ OF \_\_\_\_\_

PART NO.:

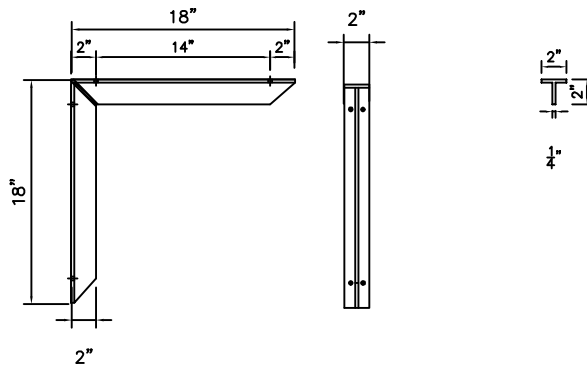
VERSION:



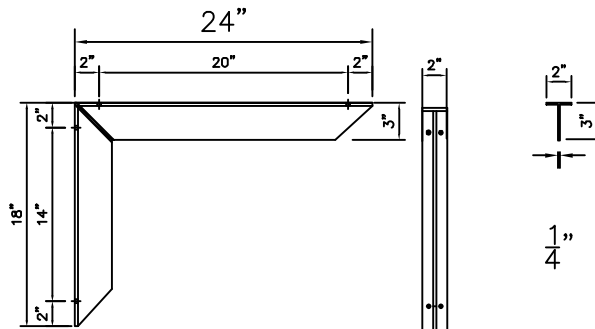
EH-1209



EH-1212



EH-1818



EH-1824