

# Rakks®

Rangine Corporation  
330 Reservoir Street  
Needham, Ma. 02494

Tel: 781-455-8700 Fax: 781-455-8702

DATE:  
12-14-15

BY:  
KT

RAKKS DWG. NO.:

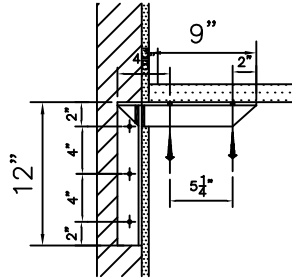
JOB NAME:

## Counter Brackets Flush Mount

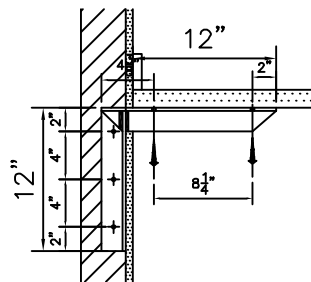
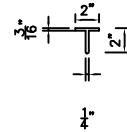
PAGE NO.:  
\_\_\_\_\_ OF \_\_\_\_\_

PART NO.:

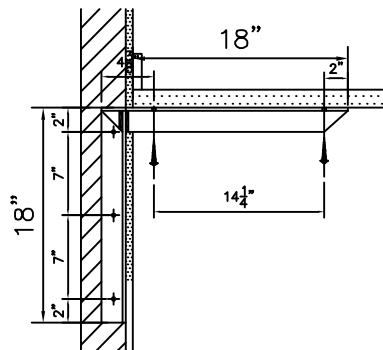
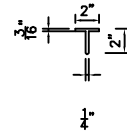
VERSION:



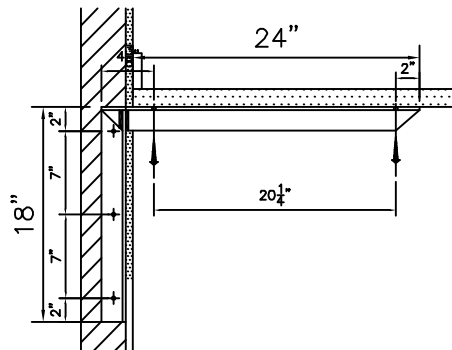
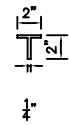
EH-1209FM



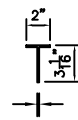
EH-1212FM



EH-1818FM



EH-1824FM



1/4"