

Rakks®

Rangine Corporation
330 Reservoir Street
Needham, Ma. 02494

Tel: 781-455-8700 Fax: 781-455-8702

DATE:
5-29-08

BY:
KT

RAKKS DWG. NO.:

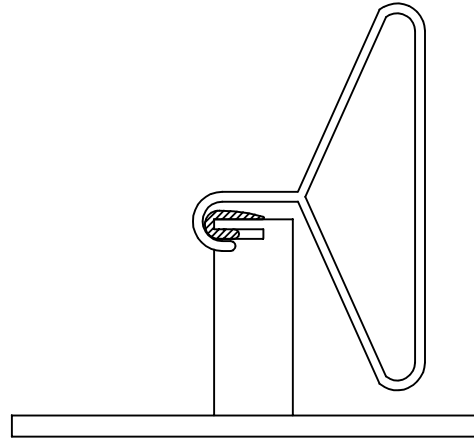
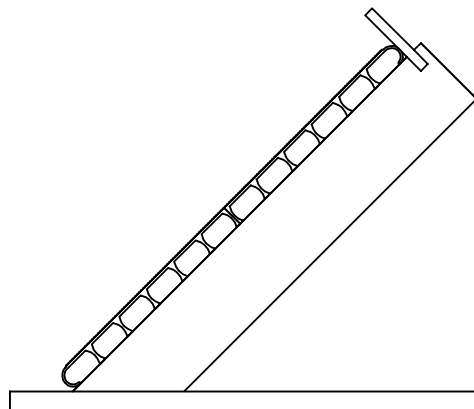
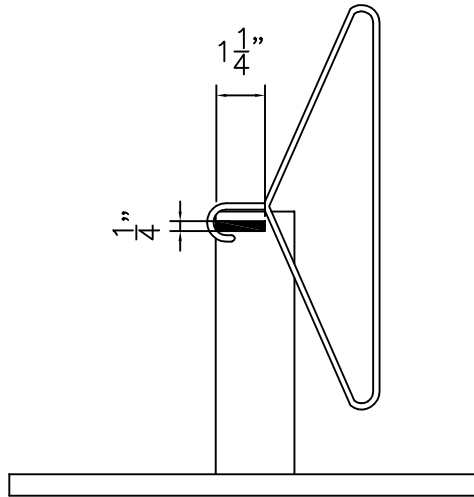
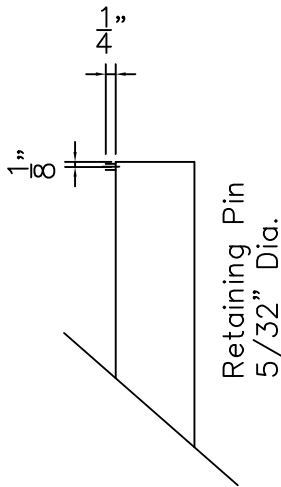
JOB NAME:

Retaining Pins,
Hangbars &
Shelf Lips

PAGE NO.:
_____ OF _____

PART NO.:

VERSION:



All designs are, and remain the property of Rangine Corporation. Rangine Corporation reserves the right to make changes in specifications, design, and/or construction without prior notification.