

**Rakks®**

Rangine Corporation  
330 Reservoir Street  
Needham, Ma. 02494

Tel: 781-455-8700 Fax: 781-455-8702

DATE:  
5-29-08

BY:  
KT

RAKKS DWG. NO.:

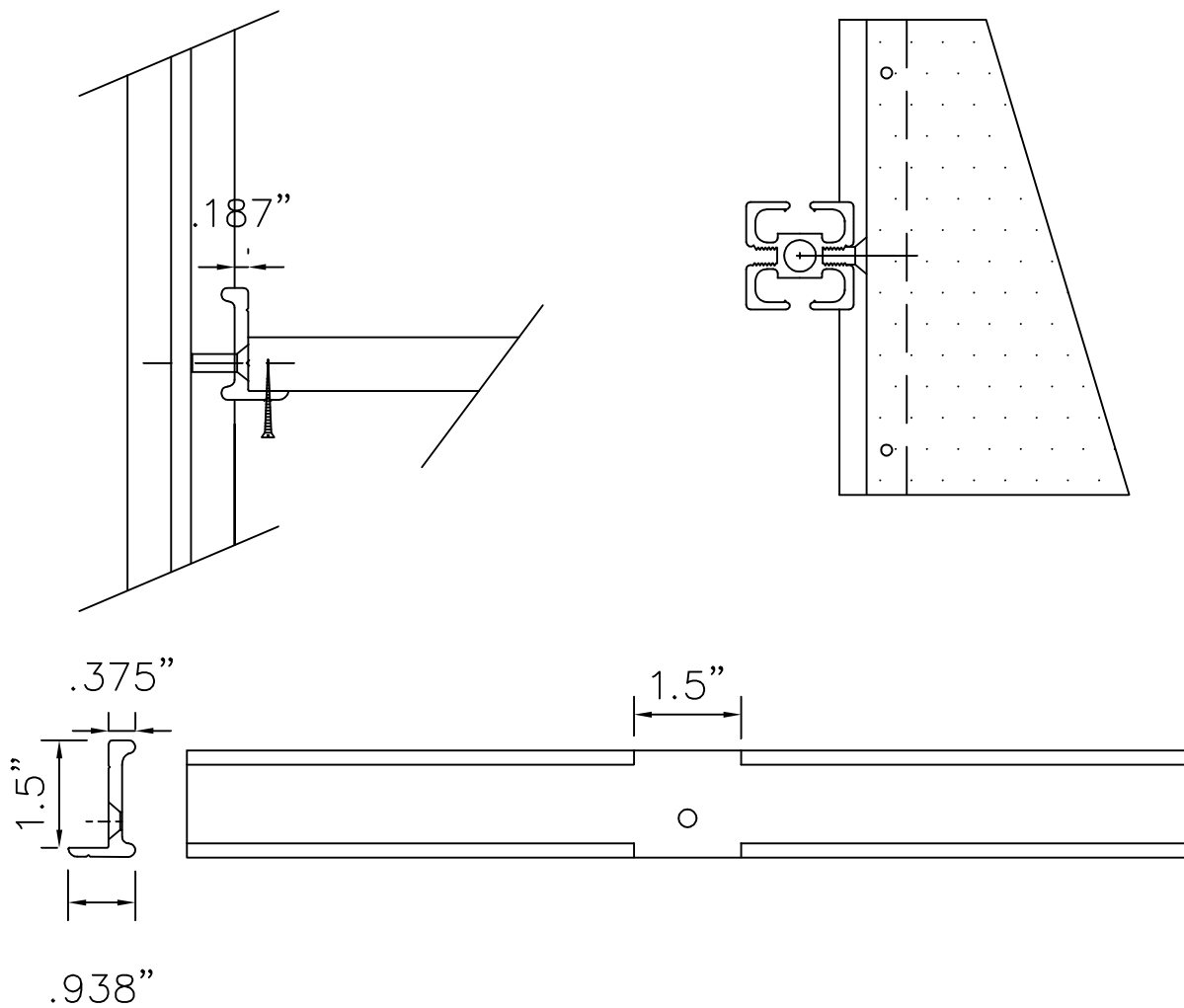
JOB NAME:

"L" Bracket  
Assembly

PAGE NO.:  
\_\_\_\_ OF \_\_\_\_

PART NO.:

VERSION:



All designs are, and remain the property of Rangine Corporation. Rangine Corporation reserves the right to make changes in specifications, design, and/or construction without prior notification.