

Rakks®

Rangine Corporation
330 Reservoir Street
Needham, Ma. 02494

Tel: 781-455-8700 Fax: 781-455-8702

DATE:
10/19/2015

BY:
EB

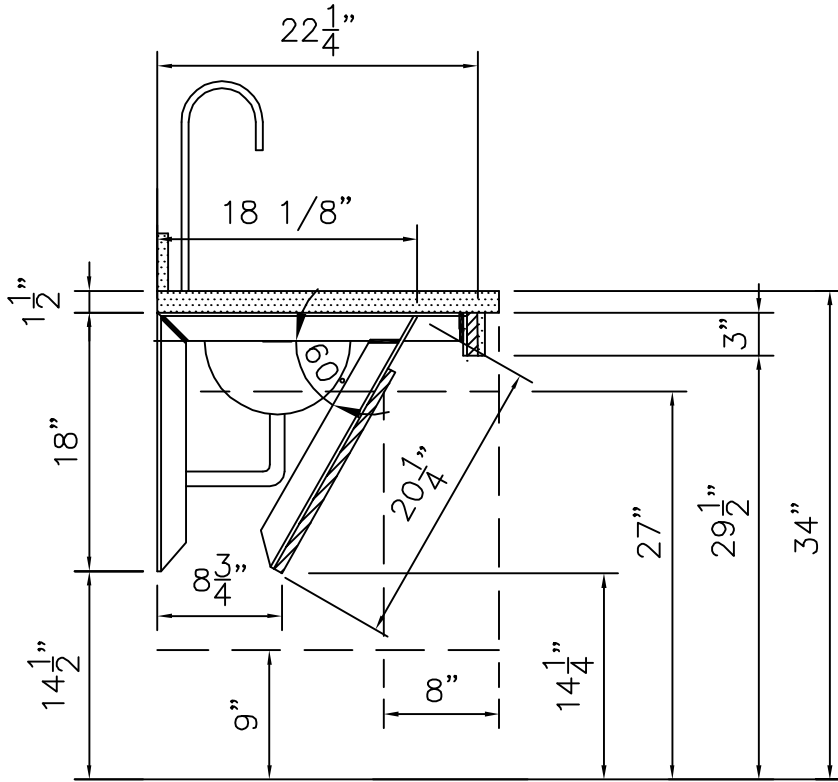
RAKKS DWG. NO.:

JOB NAME:
EHV – Vanity Support
with ADA Dimensions

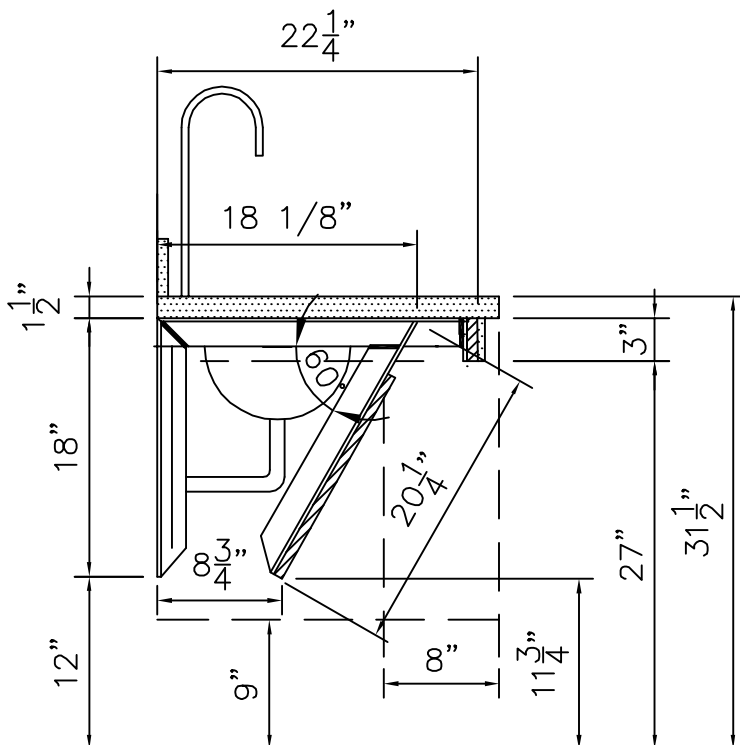
PAGE NO.:
_____ OF _____

PART NO.:

VERSION:
4, 3-6-14



ADA MAX COUNTER HT. 34"
FLOOR TO APRON $29\frac{1}{2}$ "



ADA MIN. FLOOR TO APRON 27"