

Rakks®

Rangine Corporation
330 Reservoir Street
Needham, Ma. 02494

Tel: 781-455-8700 Fax: 781-455-8702

DATE:
7-10-08

BY:
KT

RAKKS DWG. NO.:

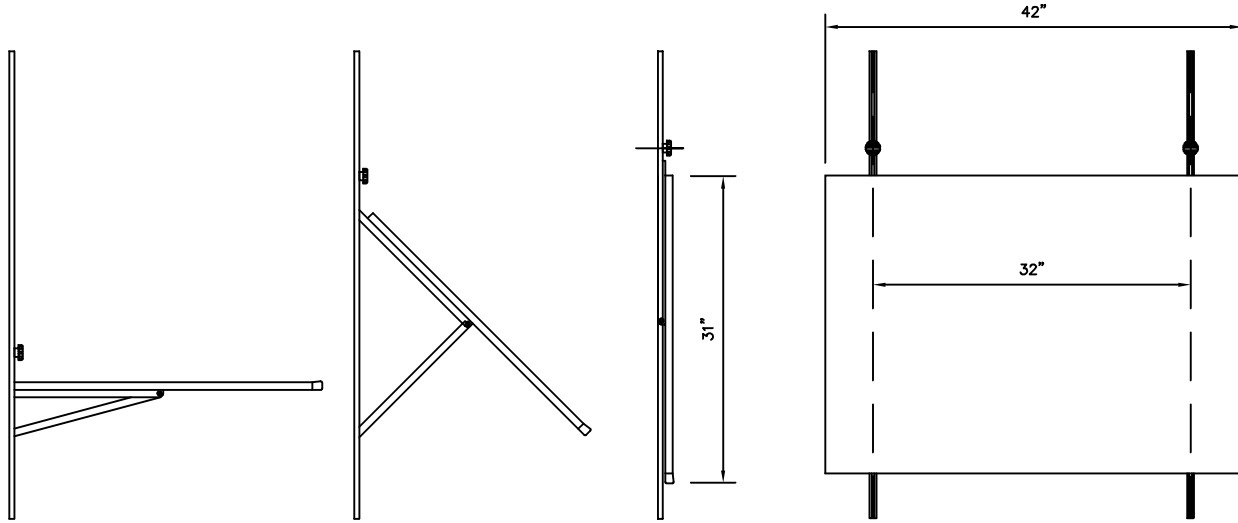
JOB NAME:

Cardan Board
30x42 &
24x33

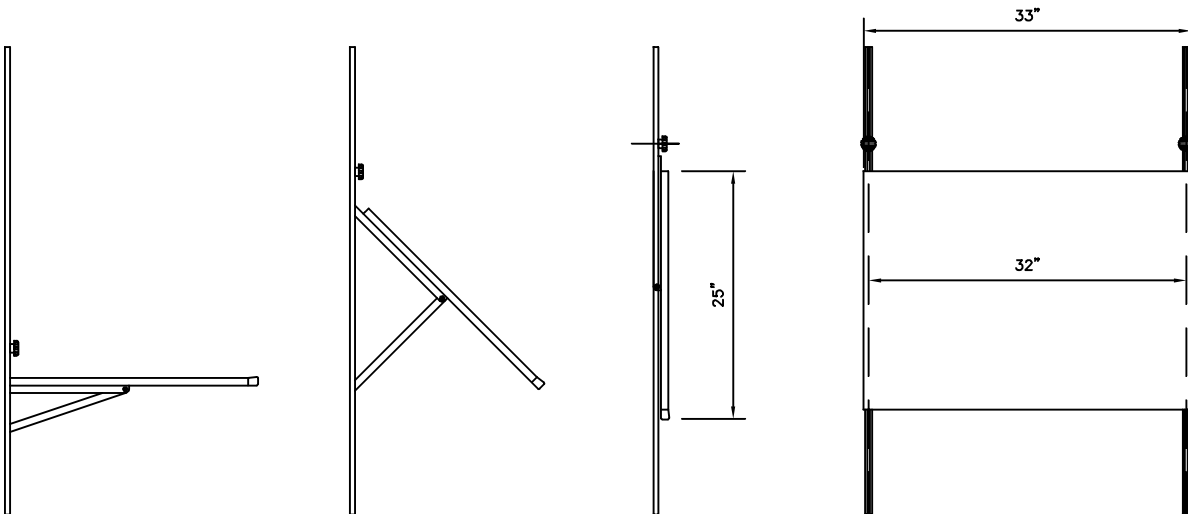
PAGE NO.:
____ OF ____

PART NO.:

VERSION:



BK-3042



BK-2433

All designs are, and remain the property of Rangine Corporation. Rangine Corporation reserves the right to make changes in specifications, design, and/or construction with out prior notification.