

Rakks®

Rangine Corporation
330 Reservoir Street
Needham, Ma. 02494

Tel: 781-455-8700 Fax: 781-455-8702

DATE:
12-14-07

BY:
KT

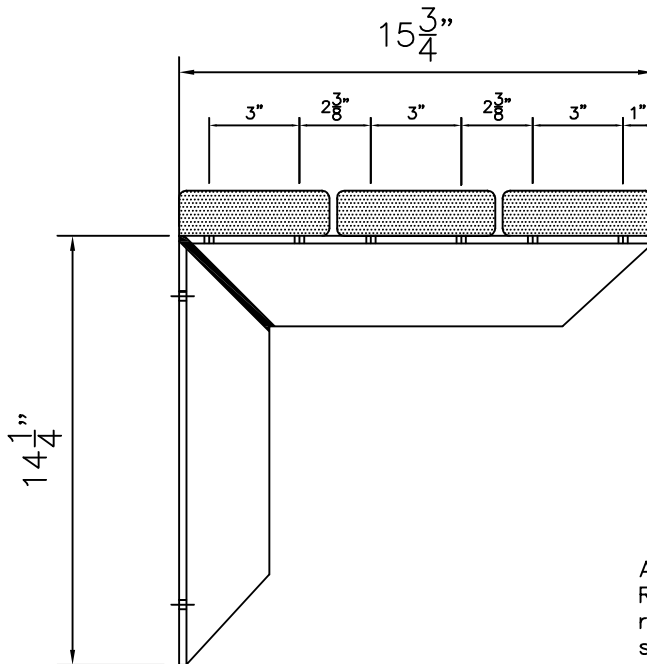
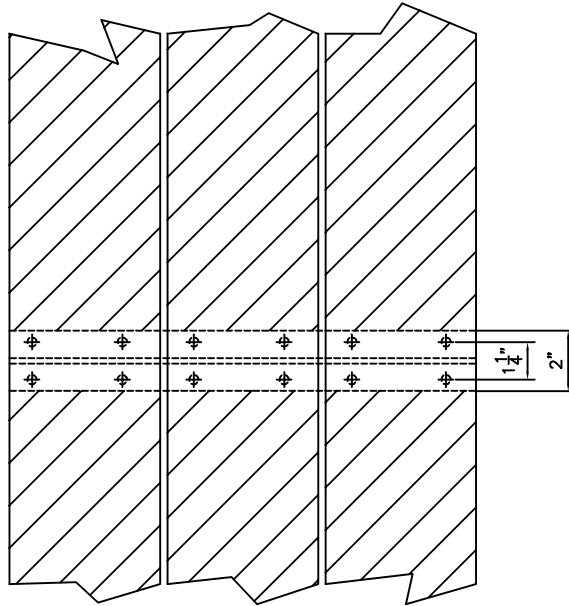
RAKKS DWG. NO.:

JOB NAME:
Bench Bracket

PAGE NO.:
_____ OF _____

PART NO.:

VERSION:
2, 5-28-08



All designs are, and remain the property of Rangine Corporation. Rangine Corporation reserves the right to make changes in specifications, design, and/or construction with out prior notification.