

Rakks

Rangine Corporation
330 Reservoir Street
Needham, Ma. 02494

Tel: 781-455-8700 Fax: 781-455-8702

DATE:
5-26-08

BY:
KT

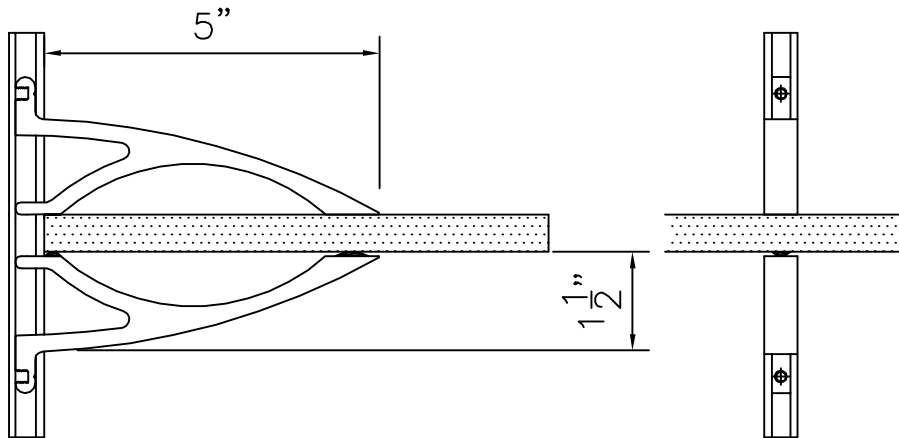
RAKKS DWG. NO.:

JOB NAME:
Aria Brackets
& Glass Hold Downs

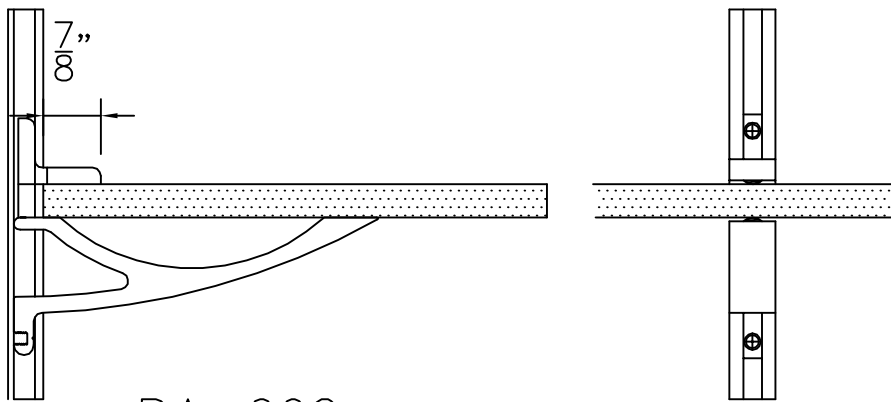
PAGE NO.:
____ OF ____

PART NO.:

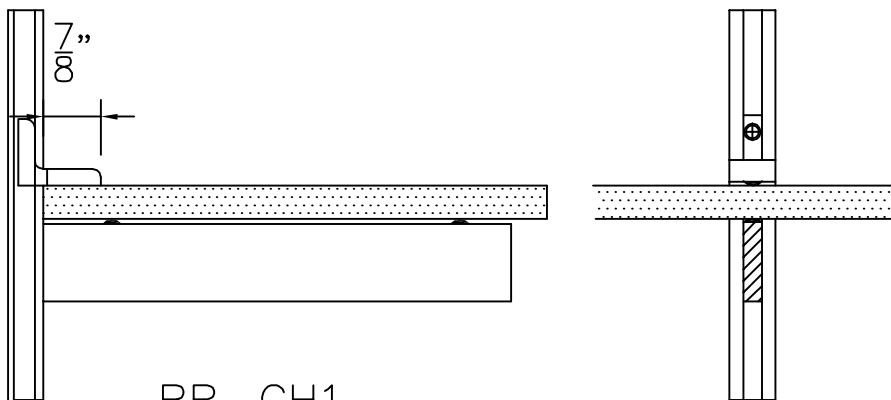
VERSION:
2, 2-22-13



BA-001



BA-002



BR-GH1

Glass Hold Down with
Rakks Bracket